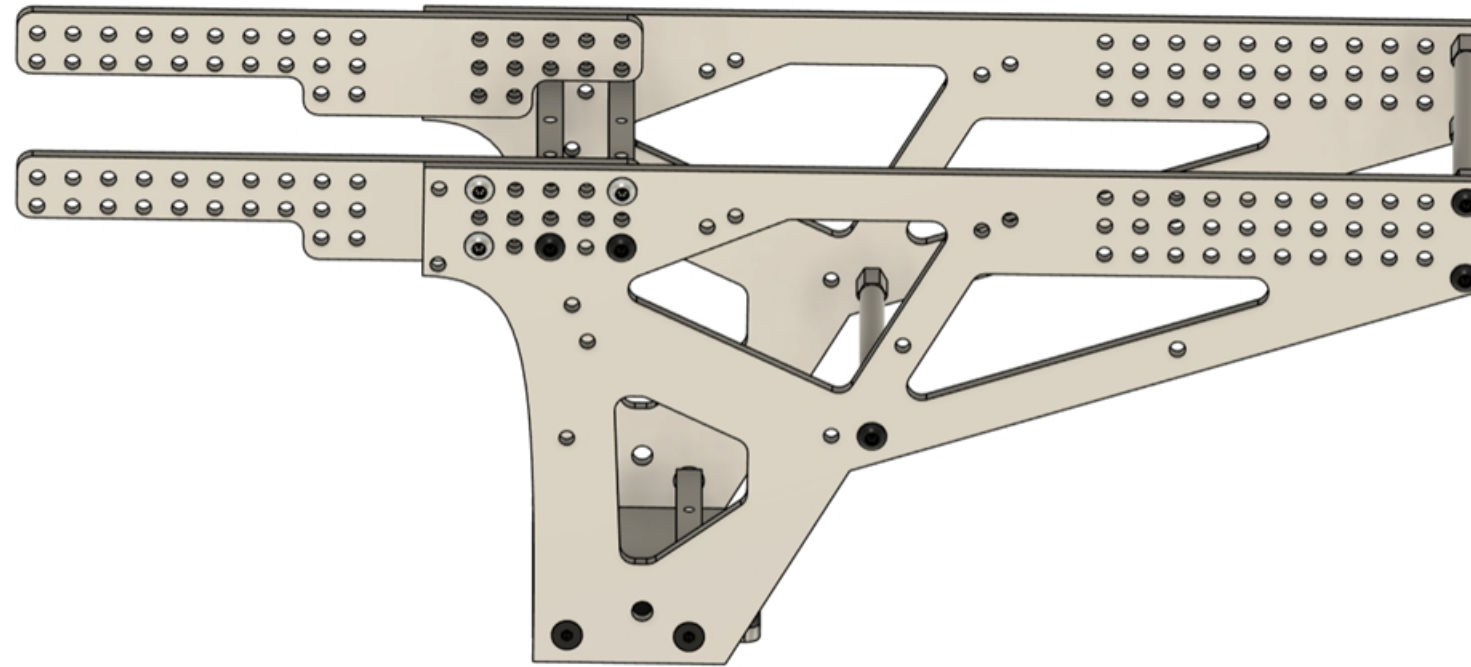
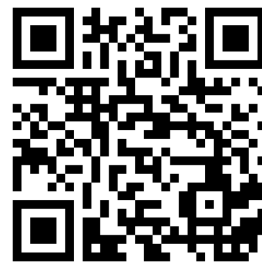


RetroBuster V1 6x6x6

www.clod.parts
www.bentaxlebill.com
6x6x6 Add-On
CP-011



Huge thanks for picking up a RetroBuster 6x6x6 Add-On from Clod.Parts! This add on bolts to the RetroBuster chassis to give you the retro style 6x6x6 ClodBuster. This is still in the **prototype** stage and may differ slightly from the production version when fully released. If you run into any problems or suggestions, please use the addresses listed below to get in contact with me.



Scan Me!

Please visit
<https://www.clod.parts/products/cp-011.html> for
setup information.

Feel free to reach out to me with any questions or comments and please submit pictures of your build!

<http://www.clod.parts/>
<http://www.bentaxlebill.com/>
Bill@clod.parts
<https://www.instagram.com/Billk27/>
<https://www.facebook.com/ClodPartsRacing/>

I am also a member of ClodLife on Facebook! It is a great community of Clod enthusiast. I highly recommend joining if you are not already a member.

Feel free to post and ask questions here as well since many of their members are RetroBuster owners.

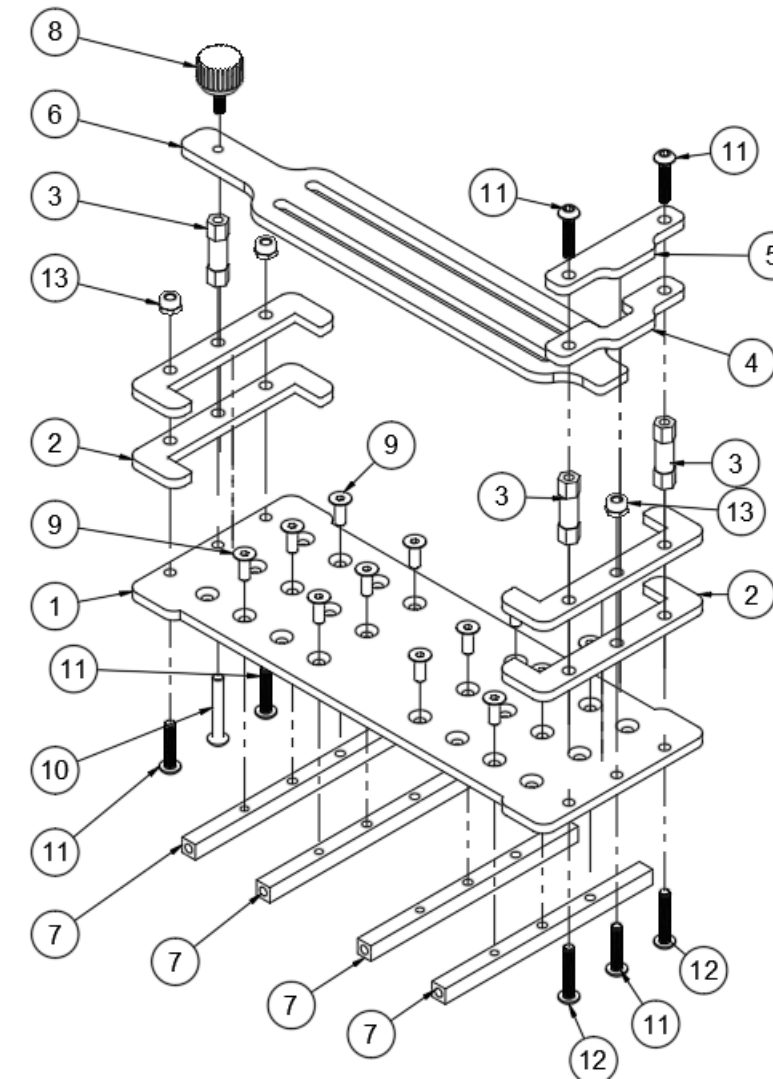
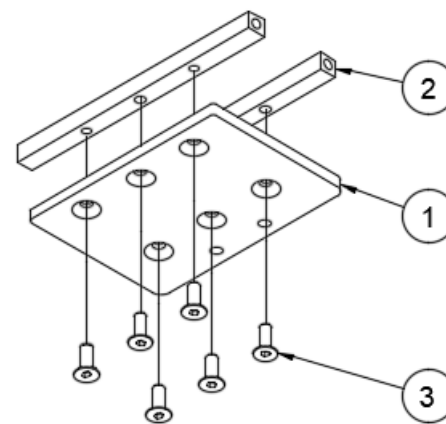
RetroBuster V1 6x6x6

www.clod.parts
www.bentaxlebill.com
6x6x6 Add-On
CP-011

| Parts List – Full Size Battery Mount | | |
|--------------------------------------|-----|----------------------------|
| Item | Qty | Name |
| 1 | 1 | G10 Battery Tray |
| 2 | 4 | G10 Battery Braces |
| 3 | 3 | 20mm Aluminum Support |
| 4 | 1 | G10 Lower locking plate |
| 5 | 1 | G10 Upper Locking Plate |
| 6 | 1 | G10 Battery Strap |
| 7 | 4 | Aluminum Cross Mount* |
| 8 | 1 | Knob |
| 9 | 12 | M3x8 Flat Head Fastener |
| 10 | 1 | M3x20 Button Head Fastener |
| 11 | 5 | M3x14 Button Head Fastener |
| 12 | 2 | M3x16 Button Head Fastener |
| 13 | 3 | M3 Lock nut |

- The kit comes with four braces, but only two are needed. Thus you can mount this where the original shorty pack was mounted on the RetroBuster chassis.
- If mounting this at the split of the two chassis, I recommend using four to help reinforce the joint.

| Parts List – Skid Plate | | |
|-------------------------|-----|-------------------------|
| Item | Qty | Name |
| 1 | 1 | G10 Tray |
| 2 | 2 | Aluminum Cross Mount |
| 3 | 6 | M3x8 Flat Head Fastener |



RetroBuster V1 6x6x6

www.clod.parts
 www.bentaxlebill.com
 6x6x6 Add-On
 CP-011

| Parts List – Chassis Connecting Plate | | |
|---------------------------------------|-----|--------------------------------------|
| Item | Qty | Name |
| 1 | 2 | G10 6x6x6 Add-On |
| 2 | 2 | G10 Add-On Connecting Plate* |
| 3 | | RetroBuster Chassis (Not Included)** |
| 4 | 14 | M3x10 Button Head Fastener |
| 5 | 14 | M3 Lock nut |

**You will need to remove the two Aluminum Cross Braces from the end of the RetroBuster Chassis.

Pictured is the minimum recommended use of fasteners. Depending on how extreme you use your chassis, you may want to use more.

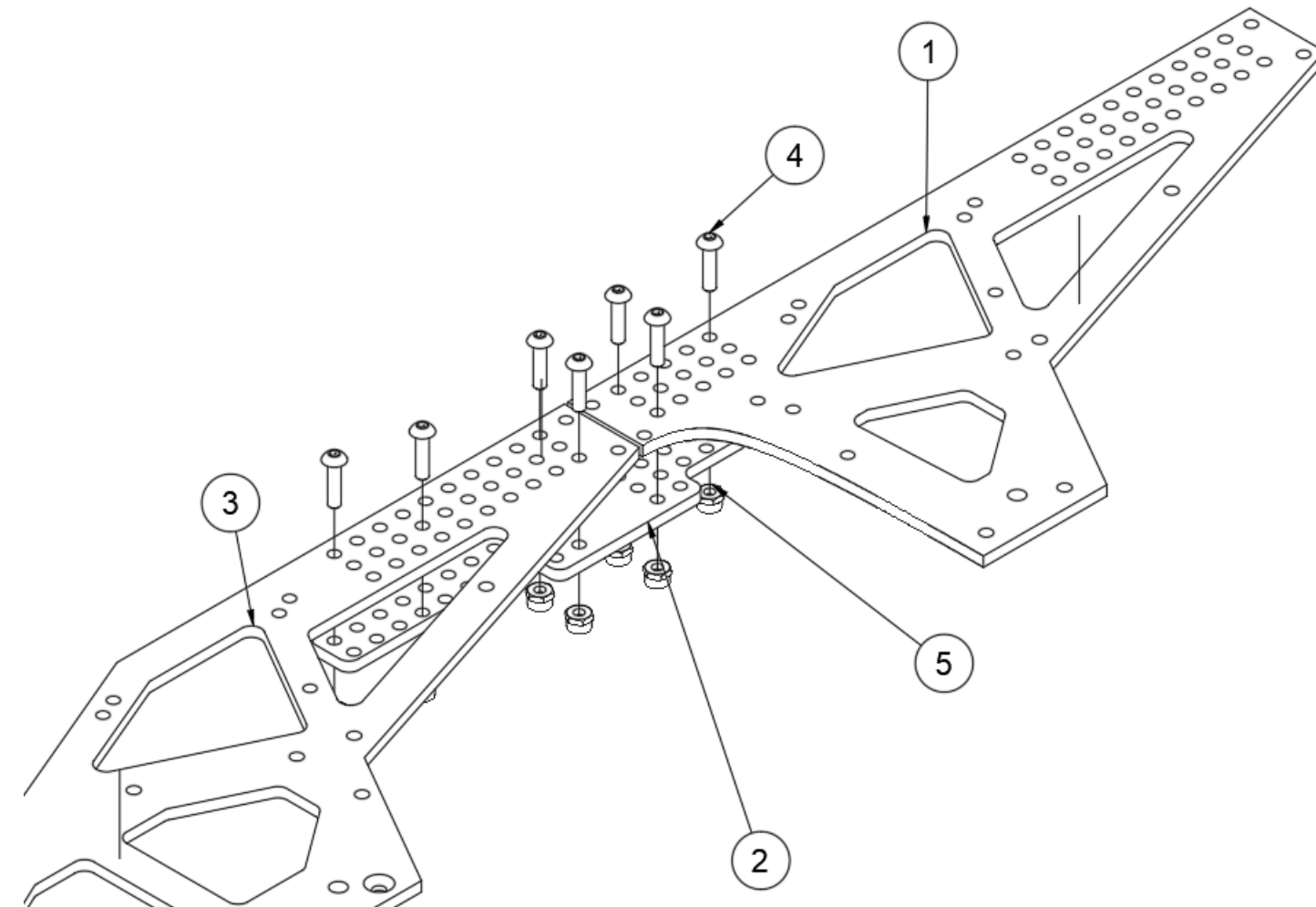
*Plates can be mounted with the cut out down or up. This gives you a choice of how and where you want to mount your battery mount or brace.

- You will have around a 1 mm gap between chassis plates. You can extend the length by selecting different hole locations to mount.

Position for higher mounted aluminum cross mounts.



Position for lower mounted aluminum cross mounts.



Repeat this process on the other side.

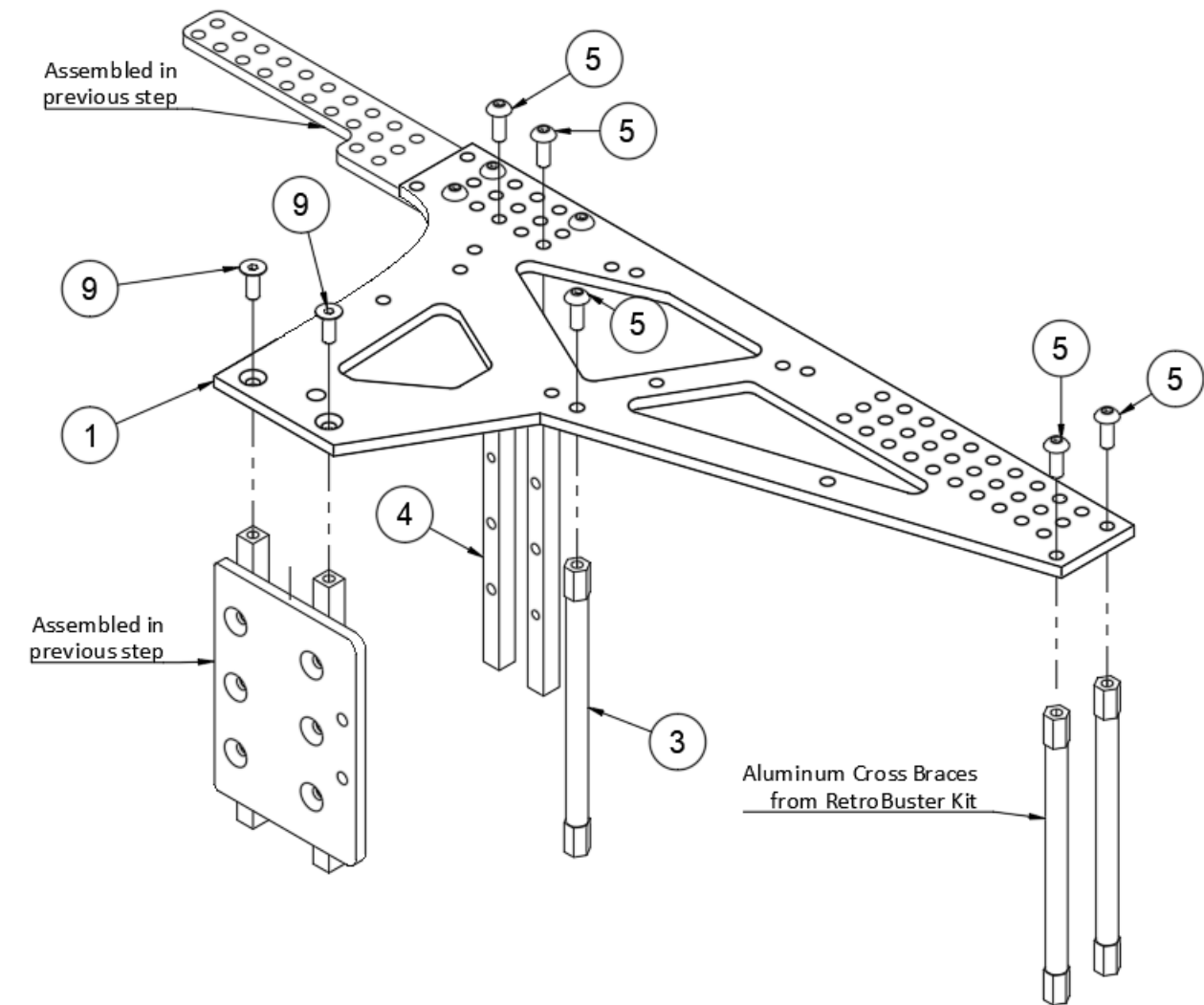
RetroBuster V1 6x6x6

www.clod.parts
www.bentaxlebill.com
6x6x6 Add-On
CP-011

| Parts List – Chassis Cross Braces | | |
|-----------------------------------|-----|---------------------------|
| Item | Qty | Name |
| 1 | 2 | G10 6x6x6 Add-On |
| 3 | 1 | Aluminum Cross Brace |
| 4 | 4 | Aluminum Cross Mount* |
| 5 | 14 | M3x8 Button Head Fastener |
| 9 | 4 | M3x8 Flat Head Fastener |

*You can choose how many of these to use and what is placed here.

- You can mount your 2S Full size battery in many locations here.
- If you mount your 2S Battery on the RetroBuster chassis instead Please mount the shorty 2s battery tray here for additional support/additional electronics tray.



Fasten the other side of the chassis to the braces the same way.

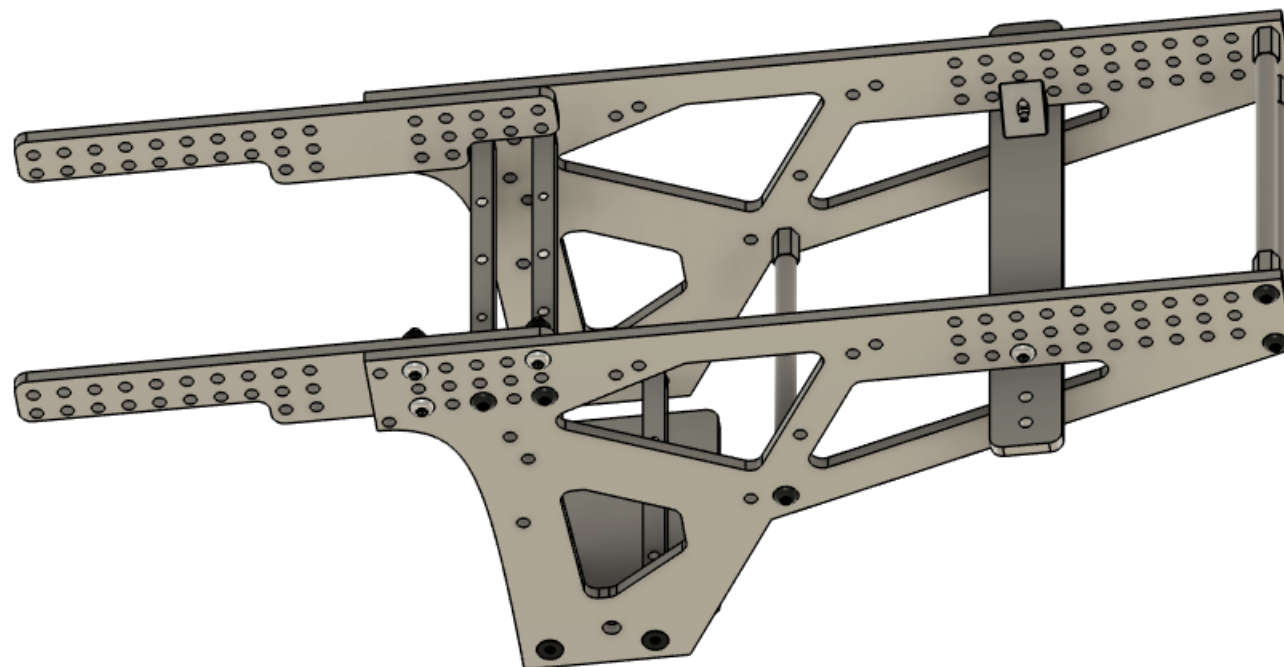
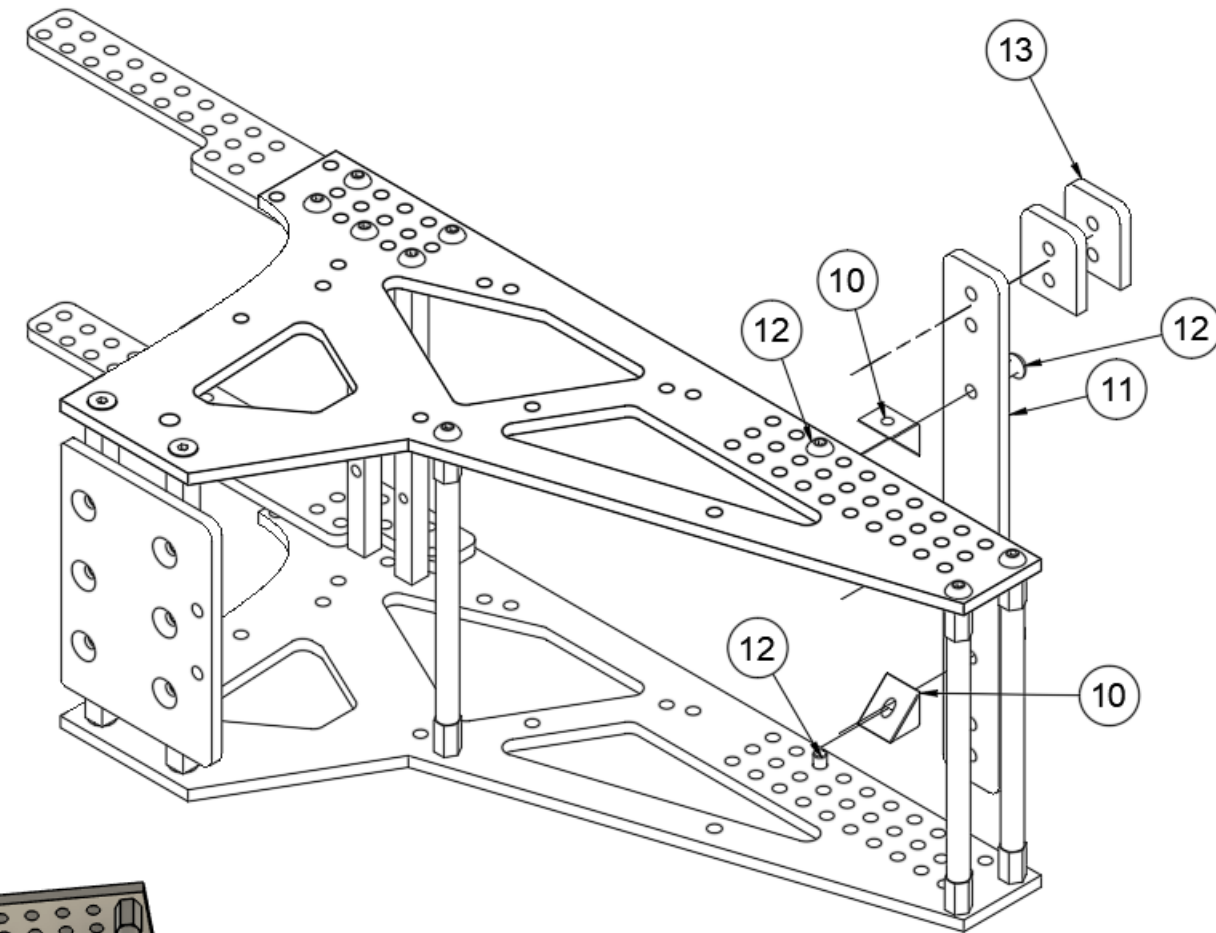
RetroBuster V1 6x6x6

www.clod.parts
www.bentaxlebill.com
6x6x6 Add-On
CP-011

| Parts List – Stock Body Mount | | |
|-------------------------------|-----|---|
| Item | Qty | Name |
| 10 | 2 | Aluminum Triangle Bracket |
| 11 | | G10 Stock Body Mount Plate* |
| 12 | 4 | M3x6 Button Head Fastener |
| 13 | 4 | G10 +3MM Stock Body Mount Spacer |
| | 8 | M3x14 Button Head Fastener (Not Pictured) |
| | 4 | M3x10 Button Head Fastener (Not Pictured) |
| | | |
| | | |

*Use the spare plate from the RetroBuster kit

- included are four spacers that will raise your stock body mounts by 3mm each spacer
- Pictured to the right is the stock mount up high, if you flip the assembly 180 degrees you can use it as a low profile mount. It will stick through the chassis cut out. See Below
- The 6x6x6 Add-On also allows for the LMT body Mounts or the SCX10 Mounts.
- Body mount position is your choice, just note that the location you choose might interfere with upper shock mounts.



RetroBuster V1 6x6x6

www.clod.parts
 www.bentaxlebill.com
 6x6x6 Add-On
 CP-011

| Parts List – LMT Mega Truck Body Mount | | |
|--|-----|----------------------------------|
| Item | Qty | Name |
| 2 | 4 | Aluminum Triangle Bracket* |
| 3 | 2 | G10 LMT Body Post Plate*** |
| 4 | 2 | G10 LMT (Semi)Hinge Plate |
| 5 | 8 | M3x6 Button Head Fastener |
| 6 | 6 | M3x12 Button Head Fastener |
| 7 | 6 | M3 Lock nut |
| | 2 | 6mm Plastic Spacer (Not Shown)** |

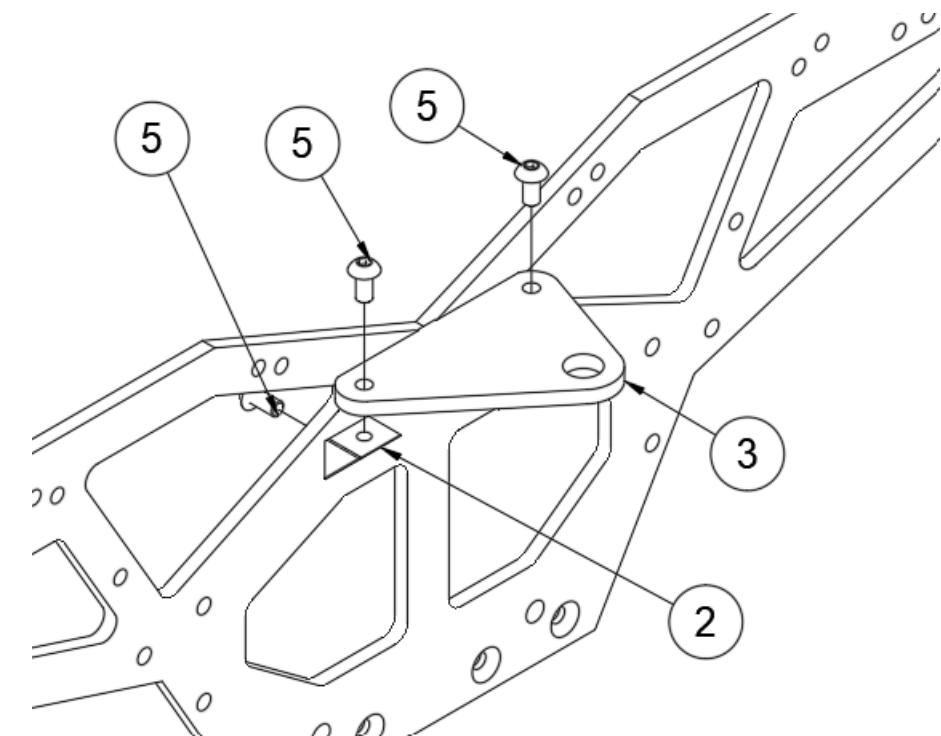
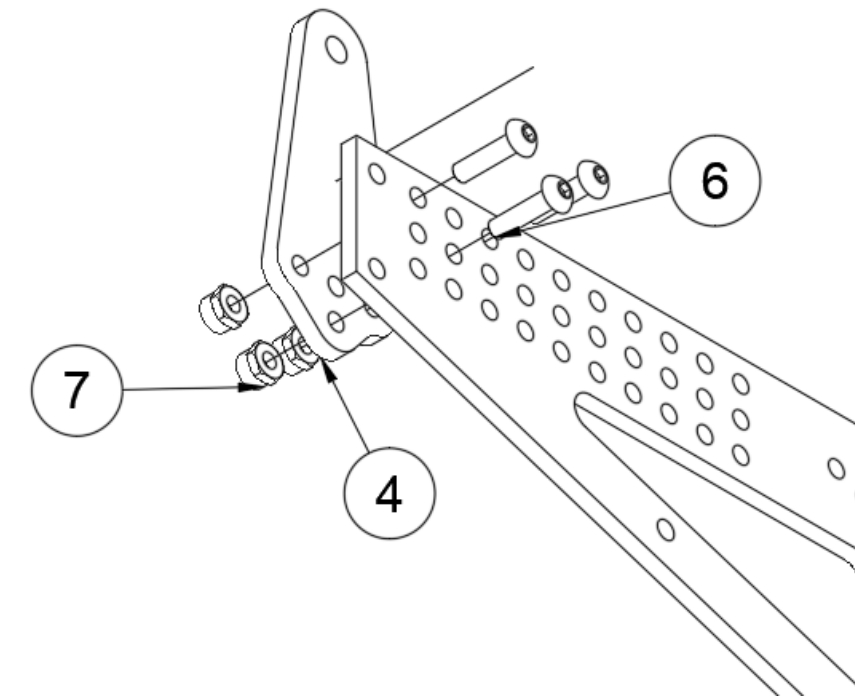
*The second bracket is unfortunately hidden in the below picture.

**6mm Plastic spacer goes on the inside of the G10 Hinge Plate. Use the stock LMT Screw for the LMT hinge. Pass the screw through the G10 Hinge, then the spacer, then the LMT Plastic hinge. Its kind of a pain and you will need to flex your body a hair (Dont worry, its Lexan).

*** The hole should be toward the back side.

- This add-on may or may not be included in the finished kit.

Repeat on other side!



RetroBuster V1 6x6x6

www.clod.parts
www.bentaxlebill.com
6x6x6 Add-On
CP-011

Fasteners & Small Parts

Parts Box Layout

| | | | | | |
|--------------------------------------|----------------------------------|-----------------------------------|----------------------------------|-----------------------------------|----------------------------------|
| G10 Body Spacers (+3mm) (Qty: 4) | Triangle Bracket (Qty: 6) | 6mm Plastic Spacer (Qty: 2) | | | |
| G10 Shock Spacers (+3mm) (Qty: 6) | Battery Thumb Screw (Qty: 1) | Stand-off 20mm (Qty: 3) | | | |
| M3x20 Button Head (Qty: 1) | M3x25 Button Head (Qty: 2) | M3x8 Flat Head (Qty: 22) | M3 Nut (Qty: 2) | M3 Lock Nut (Qty: 31) | M4 Lock Nut (Qty: 2) |
| M3x6 Button Head (Qty: 12) | M3x8 Button Head (Qty: 32) | M3x10 Button Head (Qty: 18) | M3x12 Button Head (Qty: 8) | M3x14 Button Head (Qty: 13) | M3x16 Button Head (Qty: 6) |

PROTOTYPE