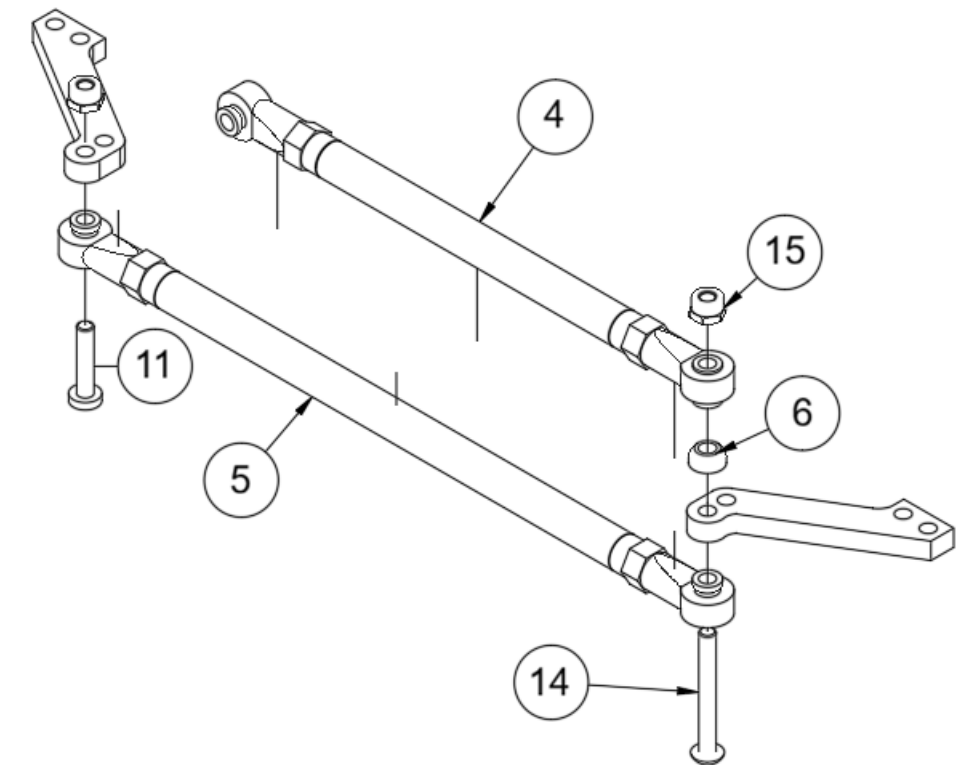
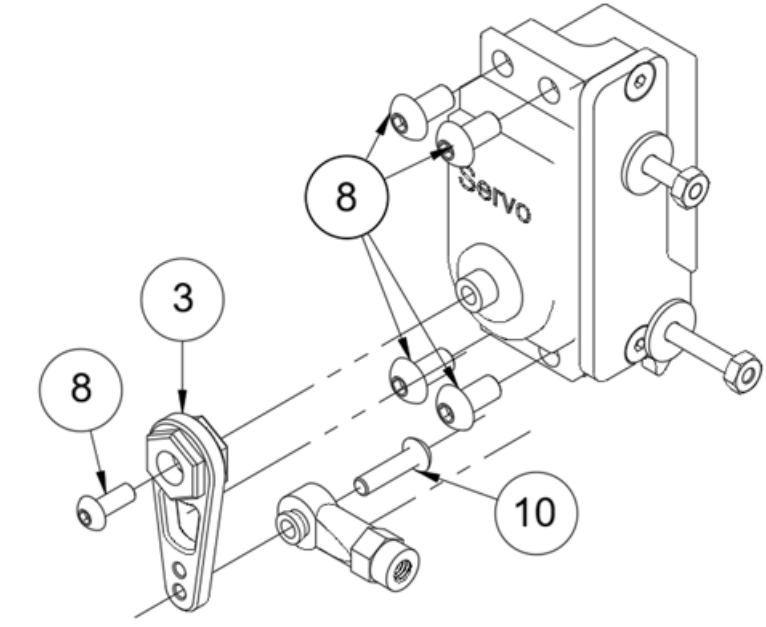
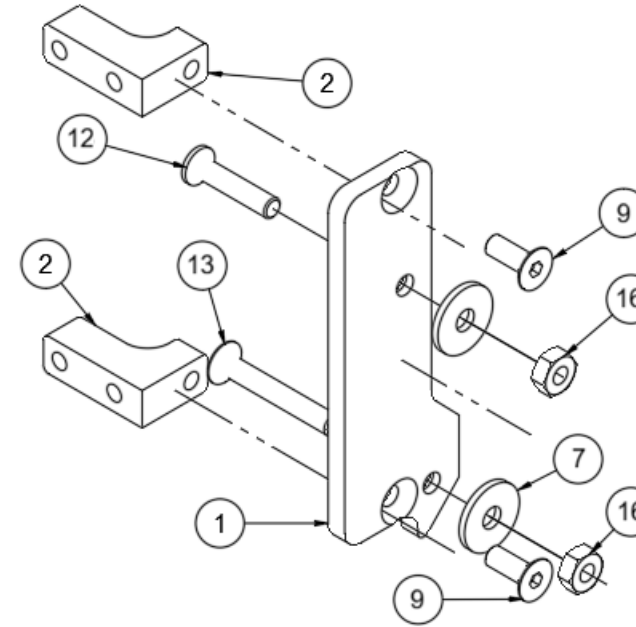


# Clod.Parts

www.clod.parts  
www.bentaxlebill.com  
CP-008-SS

Parts List – R2 Stainless Steel Steering Kit		
Item	Qty	Name
1	1	G10 Servo Plate
2	2	Aluminum Servo Mount
3	1	Aluminum Servo Horn
4	1	Stainless Link Short
5	1	Stainless Link Long
6	1	Conical Washer
7	2	M3x9 Plastic Washer
8	5	M3x8 Button head screw
9	2	M3x8 Flat head screw
10	1	M3x12 Button head screw
11	1	M3x14 Button head screw
12	1	M3x18 Flat head screw
13	1	M3x20 Flat head screw
14	1	M3x25 Button head screw
15	2	M3 Lock nut
16	2	M3 nut



**\*Tip\***

- Assemble the mount as seen in the first photo. Place your servo onto the Aluminum Servo Mounts (#2), do not secure the servo with any fasteners yet.
- With the servo sitting on the mounts, tighten the two M3x8 Flat head screws (#9). Assemble the mount onto your gear box and proceed to the next photo where you secure the servo.

Parts Box Layout				
2 – Aluminum Servo Mount (2)	3 – Aluminum Servo Horn (1)	6 – Conical Washer (1)	9 – M3x8 Flat Head Screws (2)	8 – M3x8 Button Head Screws (5)
10 – M3x12 Button Head Screw (1)	11 – M3x14 Button Head Screw (1)	14 – M3x25 Button Head Screw (1)	12 – M3x18 Flat Head Screw (1)	13 – M3x20 Flat Head Screw(1)
	15 – M3 Locknut (1)	15 – M3 Locknut (1)	16 – M3 Nut (1)	16 – M3 Nut (1)

The steering arms in the photo are CP-001 Hot Racing Upgraded Steering Plates. I did not have stock steering hubs drawn up at the time of this writing.