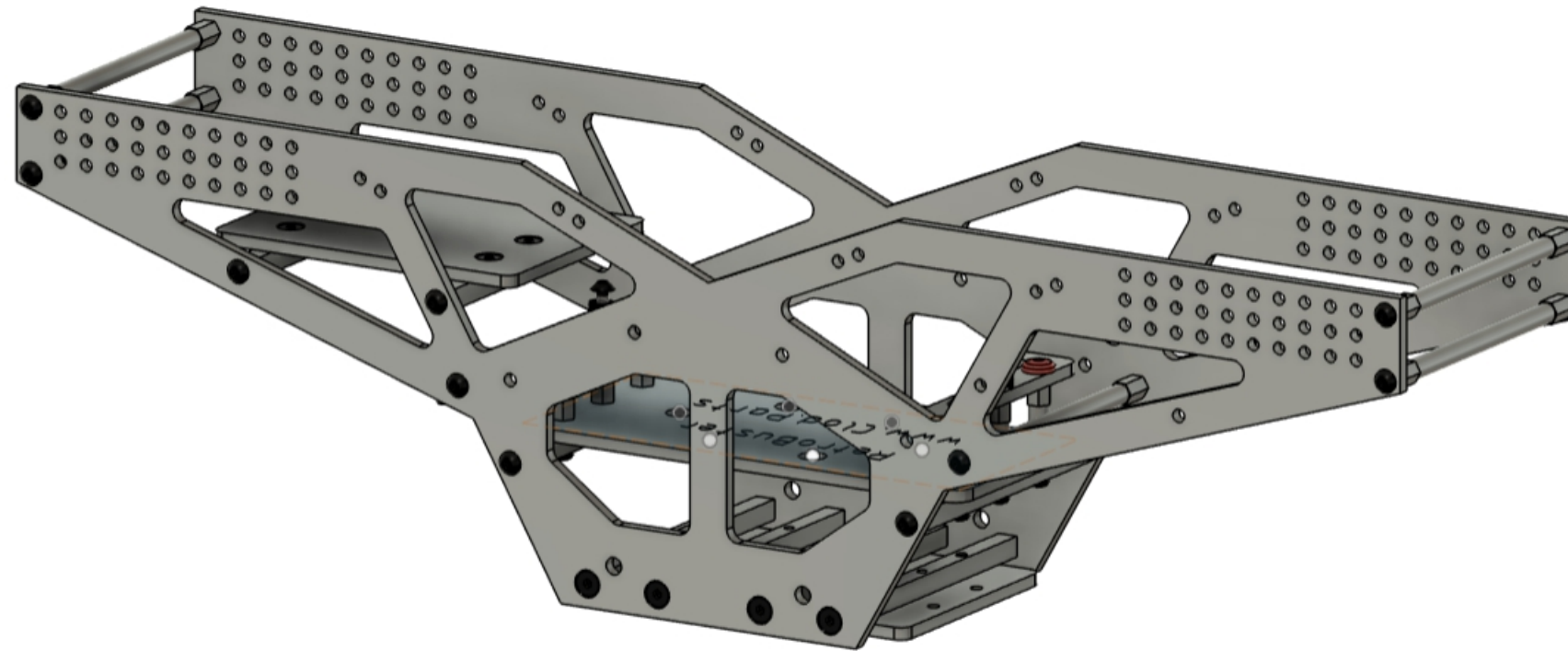


RetroBuster V1

www.clod.parts
www.bentaxlebill.com



Huge thanks for picking up a Carbon Fiber RetroBuster from Clod.Parts! This Retro2-style Clod chassis was built with a whole lot of late nights, trial-and-error, and probably more Caffeine than I'd like to admit. It's a living project—always changing and getting better—so if you've got feedback, wild ideas, or even just a "wouldn't it be cool if?" suggestion, I'm all ears.

I machine all the Carbon Fiber parts myself, which makes tweaking things pretty easy. So let's make this chassis even cooler together.



Scan Me!

Please visit <http://www.clod.parts/retrobuster/> for setup information.

Feel free to reach out to me with any questions or comments and please submit pictures of your build!

<http://www.clod.parts/>
<http://www.bentaxlebill.com/>
Bill@clod.parts
<https://www.instagram.com/Billk27/>
<https://www.facebook.com/ClodPartsRacing/>

I am also a member of ClodLife on Facebook! It is a great community of Clod enthusiast. I highly recommend joining if you are not already a member.

Feel free to post and ask questions here as well since many of their members are RetroBuster owners.

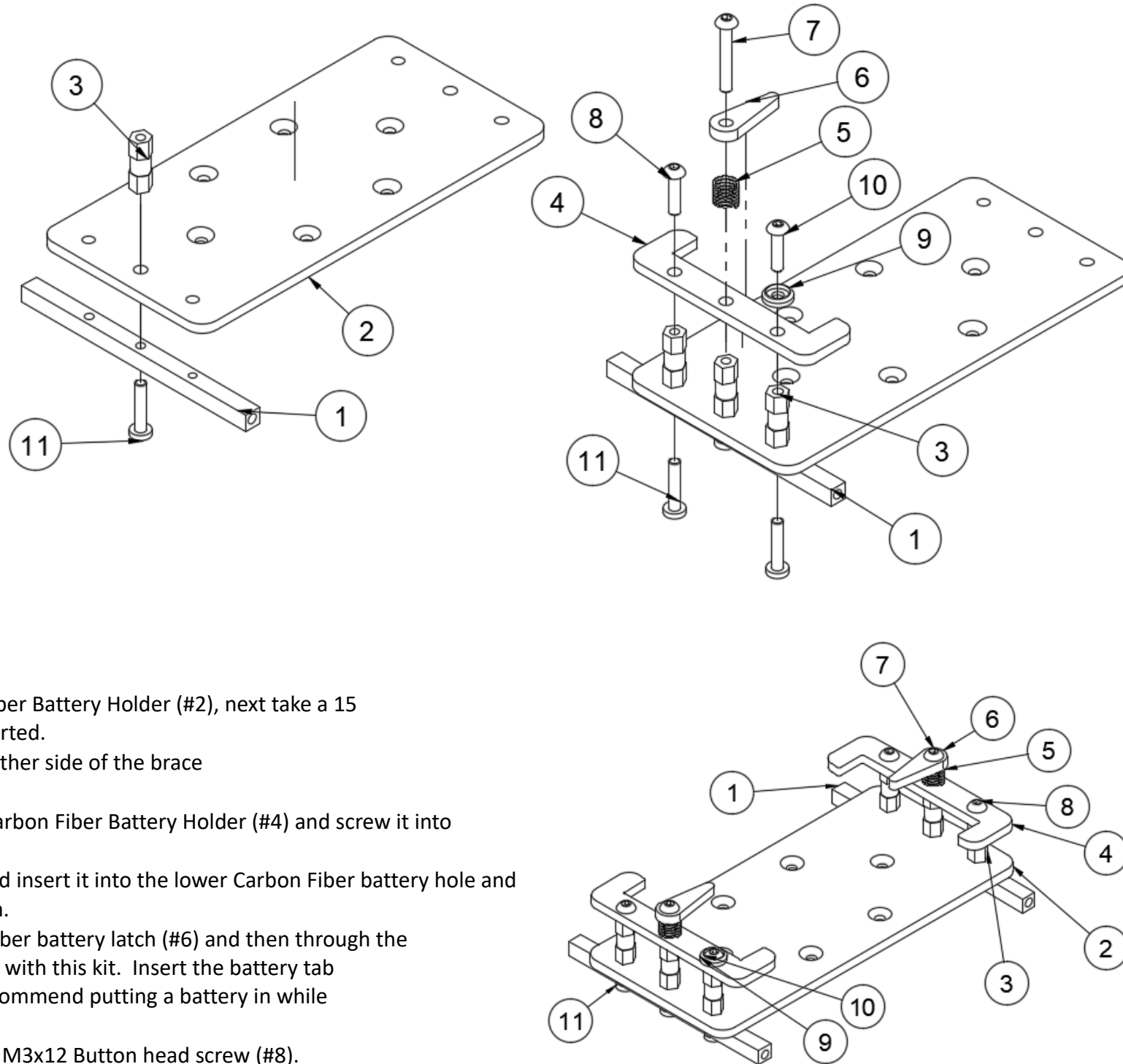
RetroBuster V1

www.clod.parts
www.bentaxlebill.com

Parts List – 2S Battery Tray		
Item	Qty	Name
1	2	78mm aluminum cross brace mounts
2	1	Carbon Fiber Battery tray
3	6	15mm Aluminum standoff
4	2	Carbon Fiber Battery holder
5	2	Blue Spring
6	2	Carbon Fiber Battery latch (Or G10)
7	2	M3x20 Button head screw
8	3	M3x12 Button head screw
9	1	Red washer
10	1	Red M3x12 Aluminum screw
11	6	M3x14 Button head screw.

***If using a battery with pass through plugs, please put tape on the battery as Carbon Fiber is conductive! G10 Battery tabs have also been included.**

- Medium Loctite is recommended and supplied!
- Start by taking one M3x14 button head screw (#11) and insert it into the center 78mm aluminum cross brace mount (#1).
- Fully tighten the screw and insert it into the center hole of the Carbon Fiber Battery Holder (#2), next take a 15 mm Aluminum stand off (#3) and screw that onto the screw you just inserted.
- Take two M3x14 Button head screw (#3) and screw it into the holes on either side of the brace going through the battery tray and add two more 15mm standoffs.
- Take a M3x12 Button head screw (#8) and insert it into one side of the Carbon Fiber Battery Holder (#4) and screw it into the top standoff.
- Insert the Red M3x12 aluminum screw (#10) into the Red washer (#9) and insert it into the lower Carbon Fiber battery hole and screw it into the standoff. This is an aluminum screw, do not over tighten.
- Take a M3x20 Button head screw (#7) and insert it through the Carbon Fiber battery latch (#6) and then through the Blue spring (#5). I highly recommend using the included Loctite included with this kit. Insert the battery tab assembly into the center hole and tighten almost all the way down. I recommend putting a battery in while doing this.
- Repeat for the other side omitting the red screw and washer for another M3x12 Button head screw (#8).
- If using the LCG location, do not use the 78mm aluminum cross brace mounts (#1)



RetroBuster V1

www.clod.parts
www.bentaxlebill.com

Parts List – Skid plate & Radio tray		
Item	Qty	Name
1	1	Carbon Fiber Skid plate
2	1	Carbon Fiber Radio tray
3	6	78mm aluminum cross brace mount
4	12	M3x8 Flat head screw
5	4	M3 Lock nut (Not Shown)

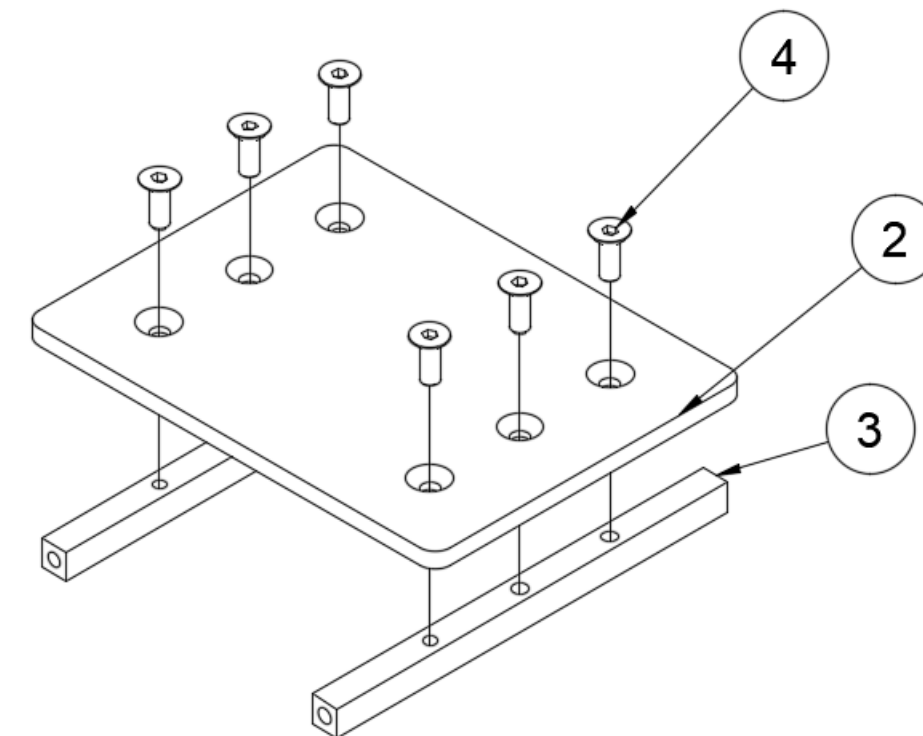
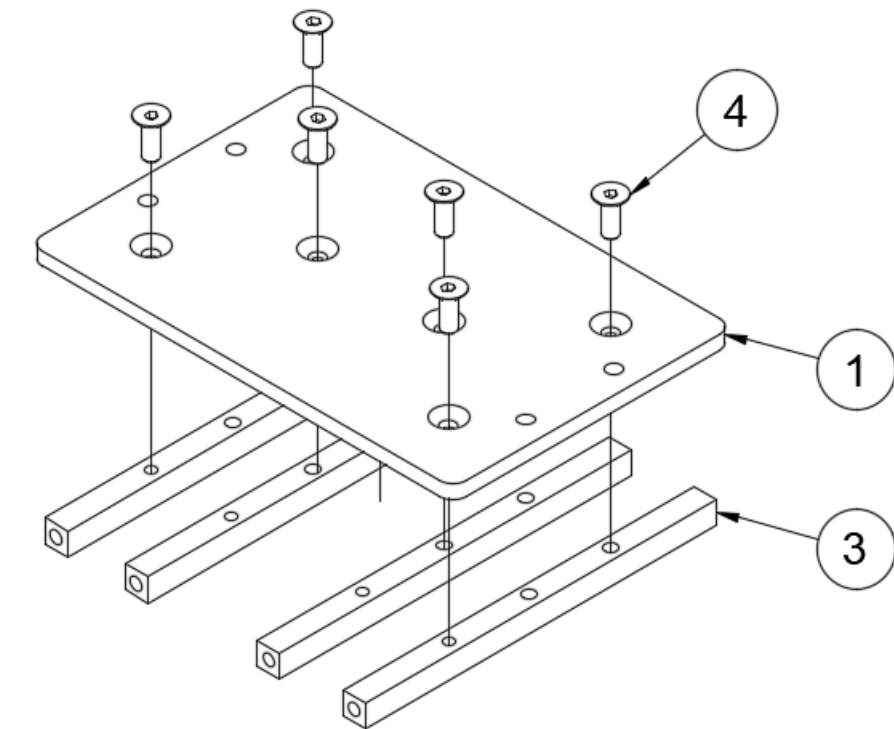
Skid Plate

- Start by taking one M3x8 flat head screw (#4) and insert it into any counter sunk hole on the Carbon Fiber Skid plate (#1) and screw it into the 78mm aluminum cross brace mount as shown in the picture on the upper right. Keep these screws slightly loose to ease in installation on the chassis plates later. Do this for all the counter sunk holes on the Carbon Fiber Skid plate.
- At this time, it is advisable to install your lower Clodbuster ball ends (User supplied). Use the four M3 Lock nuts (#5) to secure the ball ends.
 - If you are planning on doing the LCG battery mount, please make sure the ball end threads do not extend past the m3 lock nuts.

Radio Tray

- Start by taking one M3x8 flat head screw (#4) and insert it into the center hole on the Carbon Fiber radio tray (#2) and screw it in the center hole of the 78mm aluminum cross brace mount (#3) as shown in the picture on the lower right. Next repeat with the out side holes in the plate and repeat on the other side of the radio tray.

- Loctite is supplied and recommended.

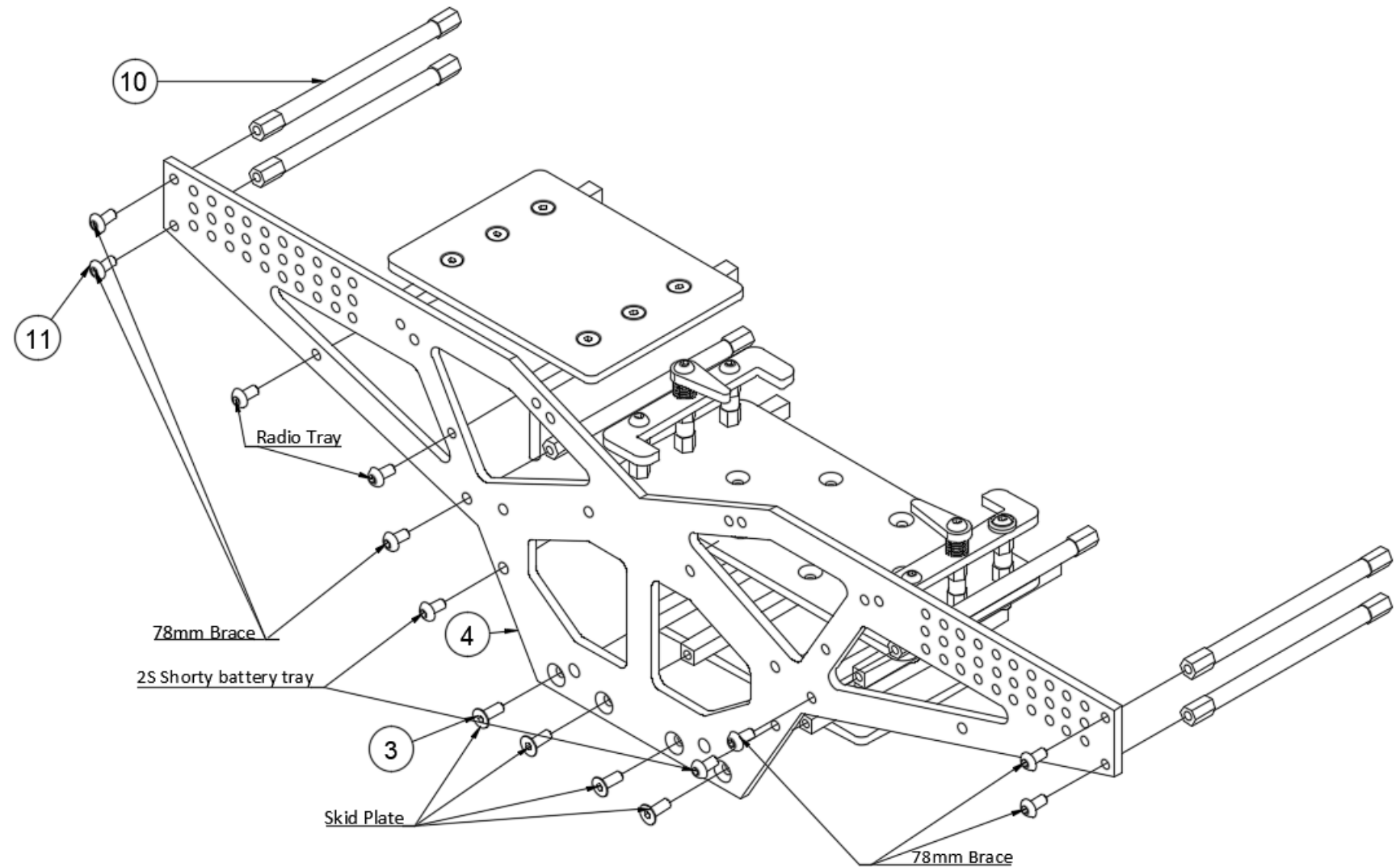


RetroBuster V1

www.clod.parts
www.bentaxlebill.com

Parts List – Chassis		
Item	Qty	Name
3	8	M3x8mm Flat head screws
4	2	Carbon Fiber Chassis plates
10	6	78mm aluminum brace
11	20	M3x8 Button head screw
12	4	M4 Lock nut (Not Shown)
13	4	M3 Conical washers (Not Shown)

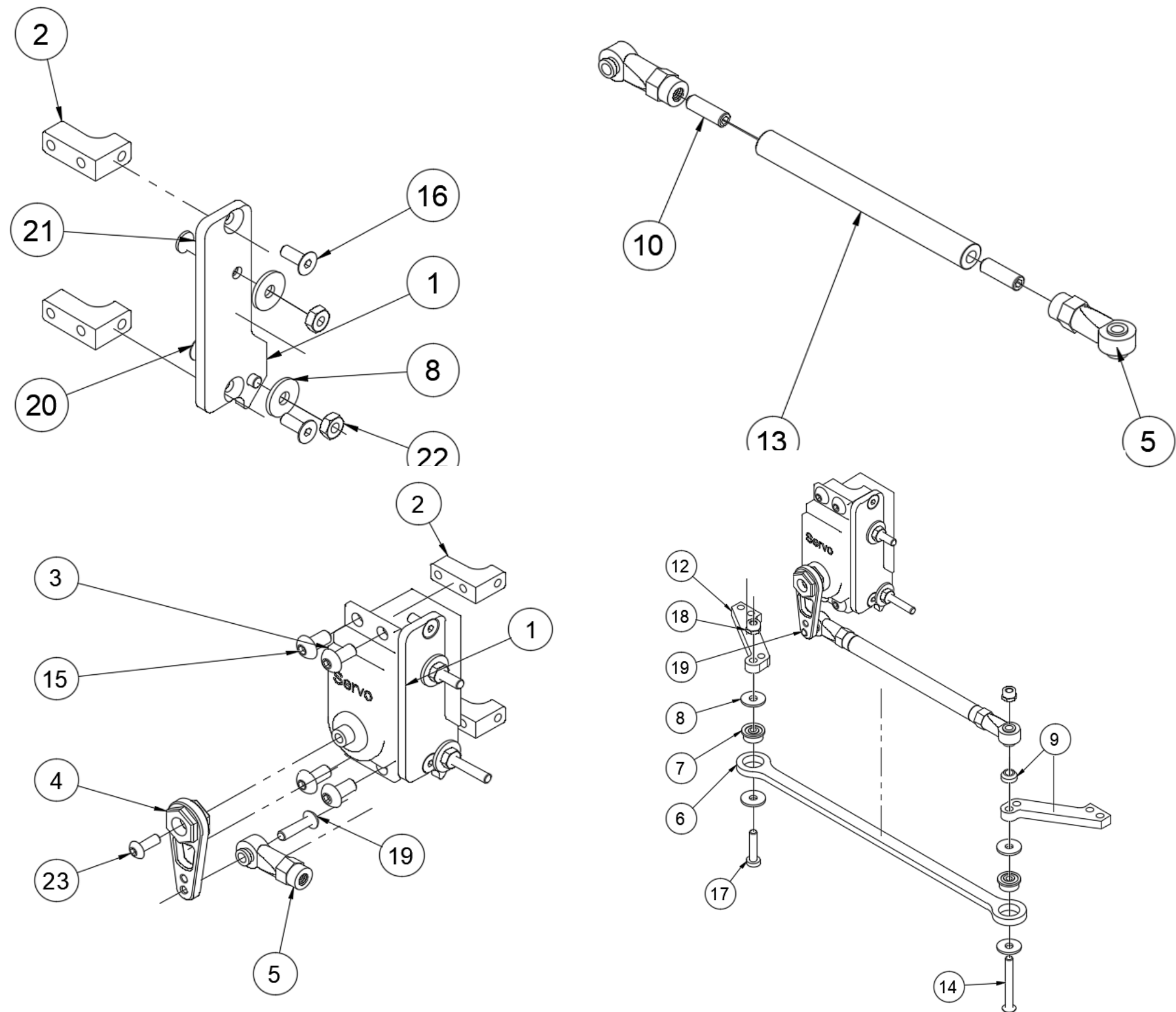
- It is highly recommended that you install your BH5 Ball ends (user supplied) before assembling the chassis. Four M4 Lock nuts (#12) have been included. If you are using a 4-link system, four conical washers (#13) have been included.
- Use four M3x8 Flat head screws (#3) to attach the skid plate to the four countersunk holes at the lower part of the chassis. Do not tighten!
- There are six 78mm Aluminum braces (#10) that need to be attached with M3x8 Button head screws (#11). Do not fully tighten. Please see the locations in the diagram.
- Now it is a good time to decide on your battery mounting position. Visit <http://www.clod.parts/retrobuster/> for the available locations. Shown in the diagram is the default battery location and a good starting spot. Use two M3x8 Button head screws (#11) to attach the aluminum battery tray to your desired location. Do not fully tighten.
- Next decide the location of your radio tray. You have a few options listed at the address mentioned above. The default location is shown in the diagram. The chassis is symmetrical with exception of the Clod.Parts logo, I consider this location the back of the chassis. Use two M3x8mm Button head screws (#11) to mount the radio tray. Do not tighten.
- Flip the chassis over and repeat the process on the other side.
- Once all screws are in, go back and tighten all screws. My holes are not over sized so there is not a lot of play.
- Loctite is highly recommended and supplied!



RetroBuster V1

www.clod.parts
www.bentaxlebill.com

Parts List – Steering		
Item	Qty	Name
1	1	Carbon Fiber Servo Plate
2	2	Aluminum Servo Mount
3		Servo (User Supplied)
4	1	Aluminum Servo Horn
5	2	M4 Rod end
6	1	Carbon Fiber Steering Link
7	2	Flange Bearing
8	6	M3x9 Plastic Washer
9	1	Conical Washer
10	2	M4 Set screw
12		Steering Hubs (User Supplied)
13	1	70MM Aluminum link
14	1	M3x25 Button head screw
15	4	M3x8 Button head screw (Screw Bag)
16	2	M3x8 Flat head screw
17	1	M3x14 Flat head screw
18	2	M3 Lock nut
19	1	M3x12 Button head screw
20	1	M3x20 Flat head screw
21	1	M3x14 Flat head screw
22	2	M3 nut

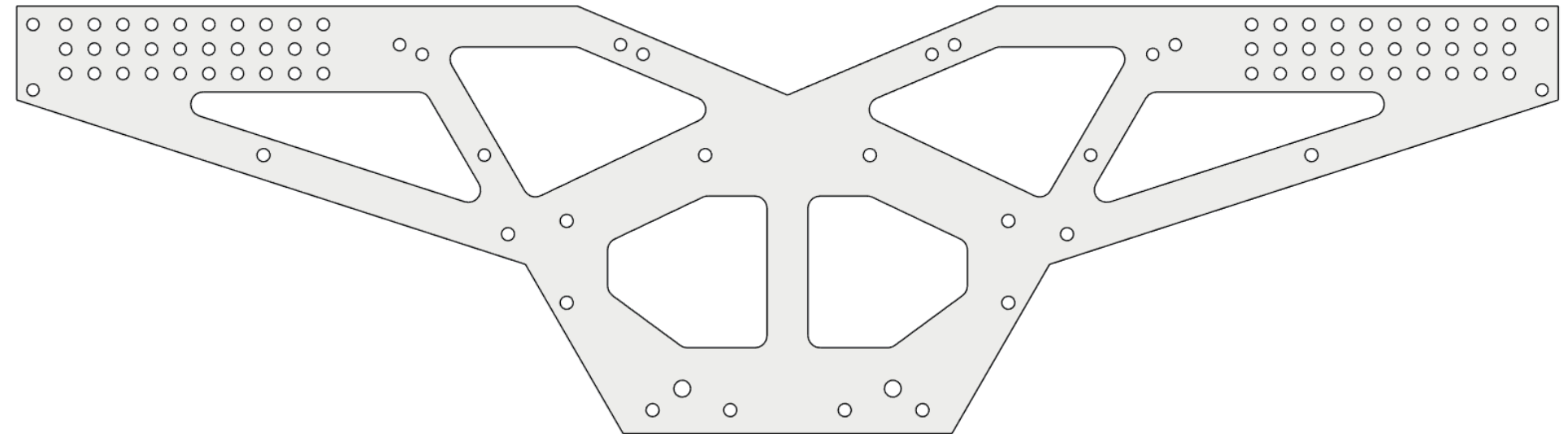


RetroBuster V1

www.clod.parts
www.bentaxlebill.com

Truck Name: _____
Body: _____
Radio Program: _____
Sponsors: _____
Track Surface: _____

Shocks: _____
Length: _____
Pistons: _____
Springs: _____
Oil: _____



Ladder Bar Style: _____
Ladder Bar Length: _____
Gear Boxes: _____
Axle Tubes: _____
Steering Hubs: _____

Additional Weight: _____
Weight Location 1: _____
Weight Location 2: _____
Weight Location 3: _____

Servo: _____
Torque: _____
Steering System: _____
Servo Saver: _____
Rear Steer: _____

ESC: _____
Motors: _____
Turns: _____
Pinions: _____
Receiver: _____

Battery Location: _____
Radio Tray Location: _____

Tires: _____
Wheels: _____
Foams: _____
Adapter Width: _____
Adapter Material: _____

Misc: _____

RetroBuster V1

www.clod.parts
www.bentaxlebill.com

Fasteners & Small Parts

Parts Box Layout

Carbon Fiber Body Spacers (+3mm) (Qty: 8)	Triangle Bracket (Qty: 4)	M3 Conical Washer (Qty: 1)	Servo Bolt Bag (Qty: 1 bag)	Servo Horn (Qty: 1)	Aluminum Servo Mounts (Qty: 2)	M4 Set Screw Rod Ends (Qty: 2 & 2)
Carbon Fiber Shock Spacers (+3mm) (Qty: 16)	Red Washer M3x12 Button Head (Qty: 1 & 1)	Stand-off 15mm Battery Tabs (CF & G10) (Qty: 6 & 6)			Bearings (Qty: 2)	M3 Plastic Washer (Qty: 6)
M3x25 Button Head (Qty: 5)	M3x8 Flat Head (Qty: 34)	M3x18 Flat Head (Qty: 1)	M3x20 Flat Head (Qty: 1)	M3 Nut (Qty: 6)	M3 Lock Nut (Qty: 18)	M4 Lock Nut (Qty: 4)
M3x6 Button Head (Qty: 8)	M3x8 Button Head (Qty: 21)	M3x10 Button Head (Qty: 8)	M3x12 Button Head (Qty: 6)	M3x14 Button Head (Qty: 15)	M3x16 Button Head (Qty: 8)	M3x20 Button Head Blue Springs (Qty: 2 & 2)